



# STORM WATER MANAGEMENT SOLUTIONS

## Explore the Options for STORMWATER MANAGEMENT

Layfield provides objective solutions for advanced stormwater management systems. Layfield has been providing geosynthetic solutions to engineers, architects, and contractors for over 30 years.

**All of Layfield's System Bundles Have a Proven Track Record of *Service, Reliability, and Industry Leading Support.***

Underground Stormwater Management Systems have become an important tool in a designer's toolbox for effective retention, detention, and infiltration on a development site.

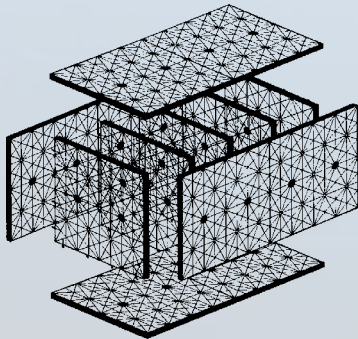
- Layfield supports 2 of the most popular systems bundled with industry leading geomembranes and geosynthetics for a complete solution
- Beyond supplying the materials, Layfield can provide installation, design support, and ongoing maintenance
- Layfield can help you decide which system is best for your application and budget



# Storm Water Management Solutions



The Atlantis™ Modular Box Type System allows for minimal stone requirements, easy accommodation of underground utilities, and shallow depths for high groundwater conditions.

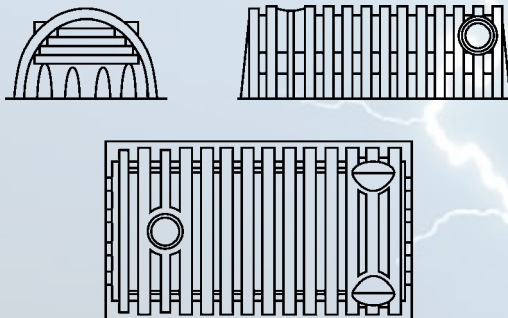


## FEATURES:

- modular design
- detain stormwater for quality control
- rainwater harvesting
- permeable soil infiltration
- groundwater recharge



The StormChamber™ Arch Type System offers high strength, low cost infiltration/detention with easy sediment management.



## FEATURES:

- technologically advanced storage
- pollutant removal solution
- less maintenance
- sediment maintenance and control
- peak flow attenuation

Layfield's suite of industry leading geomembranes and geosynthetics are engineered to work with your stormwater system whether it is an open pond, covered pond or underground system.

- Enviro Liner®
- GeoFlex™
- EPDM
- Non Woven Geotextiles
- Hypalon / CSPE
- REVOC floating covers
- Steel Tanks
- RPE®



*Earn as many as  
12 Leed Points for  
your project*

*For more information on any of Layfield's storm water management products, please contact Layfield*



(800) 796-6868 United States  
(800) 840-2884 Canada

[www.layfieldgroup.com](http://www.layfieldgroup.com)

San Diego Seattle Vancouver Edmonton Calgary Toronto