

STORMTANK[®] Shield

Design Guidelines

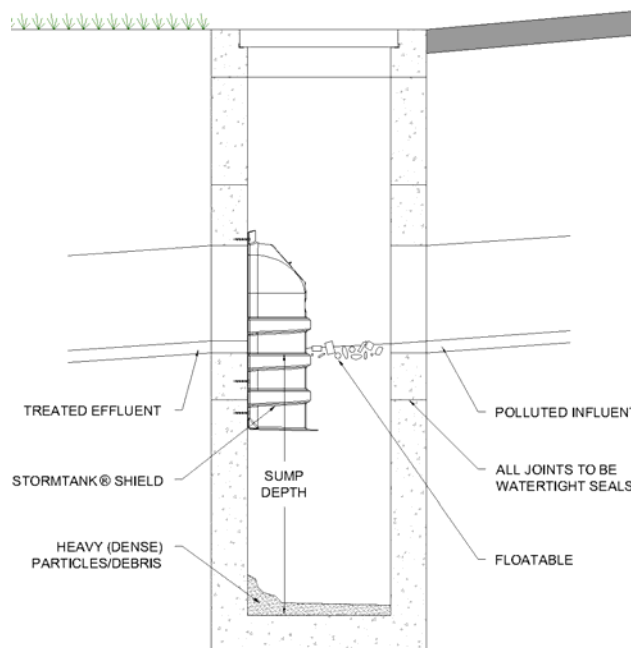
REV. 1

8/13/13

The **StormTank[®] Shield** is, a stormwater treatment device, intended to improve the treatment efficiency of sumped inlet water quality BMP's. By installing a **StormTank[®] Shield** in any sumped inlet, debris and contaminants with a density less than water are prevented from exiting the inlet during the first flush of runoff. This increases the treatment efficiency of the BMP, while also increasing the flow length and time of concentration that is vital to particle settling.

StormTank[®] Shield Design Guidelines:

1. **StormTank[®] Shield** hood shall enclose the entire opening area of the outlet pipe.
2. **StormTank[®] Shield** sizing should be selected to ensure flow capacity is not reduced beyond the capacity of the upslope system (tailwater condition).
3. The stormwater structure, to contain a **StormTank[®] Shield**, shall be sized to contain a minimum 36" deep internal sump (for increased treatment, the sump should be a minimum 2.5x pipe diameter).
4. The structure shall be installed to ensure a watertight seal at all joints and penetrations. It is recommended that all seals be made with a gasket or mastic (or equal).



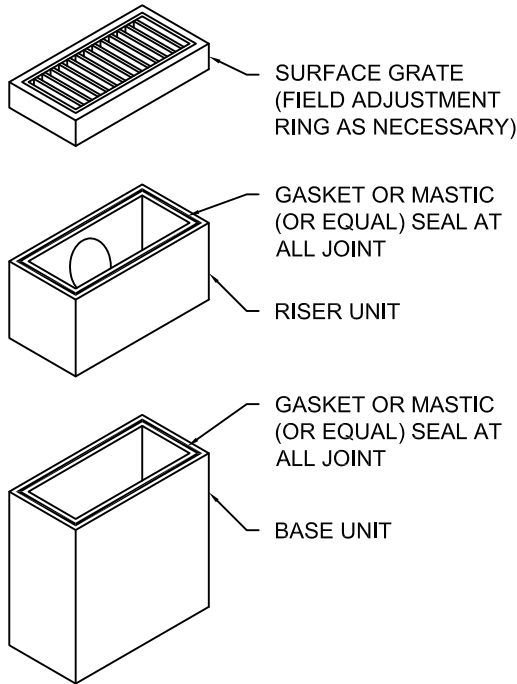
Brentwood Industries, Inc.
610 Morgantown Road, Reading, PA 19611, USA
Brentwoodindustries.com

Phone: 610.374.5109

Fax: 610.376.6022

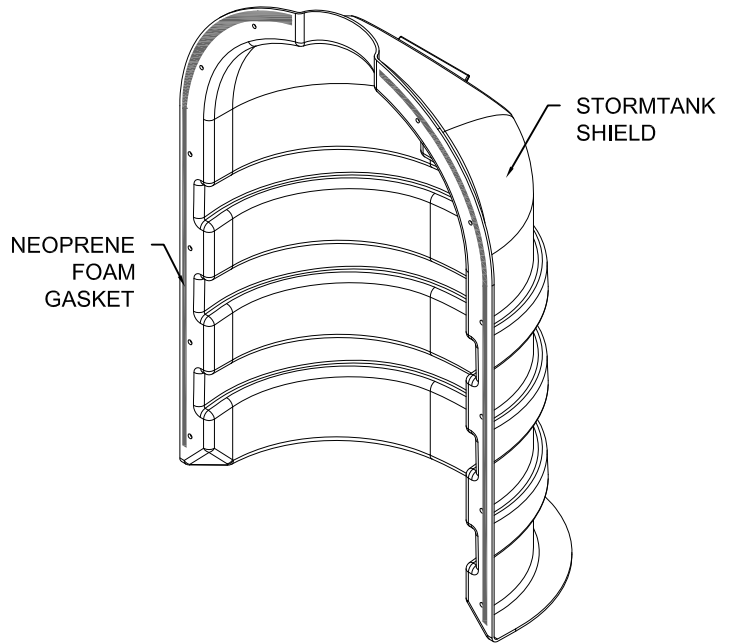
STEP #1

INSTALL STRUCTURE, ENSURING ALL JOINTS AND PENETRATIONS PROVIDE A WATERTIGHT SEAL.



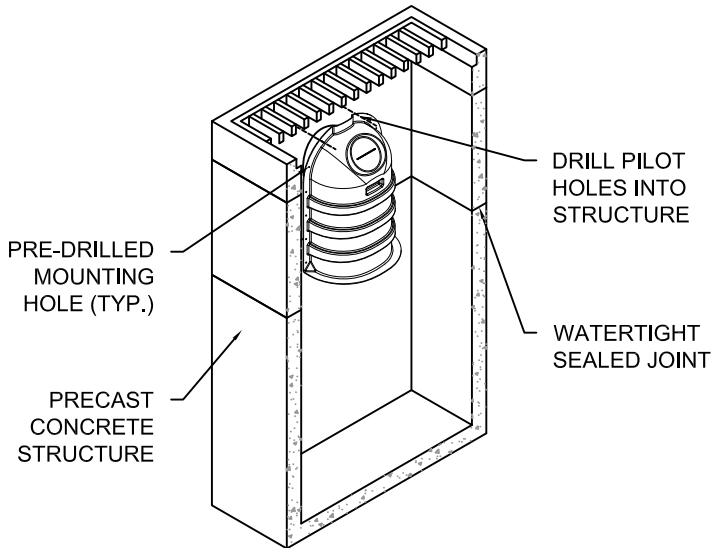
STEP #2

PREPARE STORMTANK SHIELD FOR INSTALLATION, BY APPLYING NEOPRENE FOAM GASKET (SUPPLIED BY MANUFACTURER) TO REAR FACE OF THE MOUNTING FLANGE.



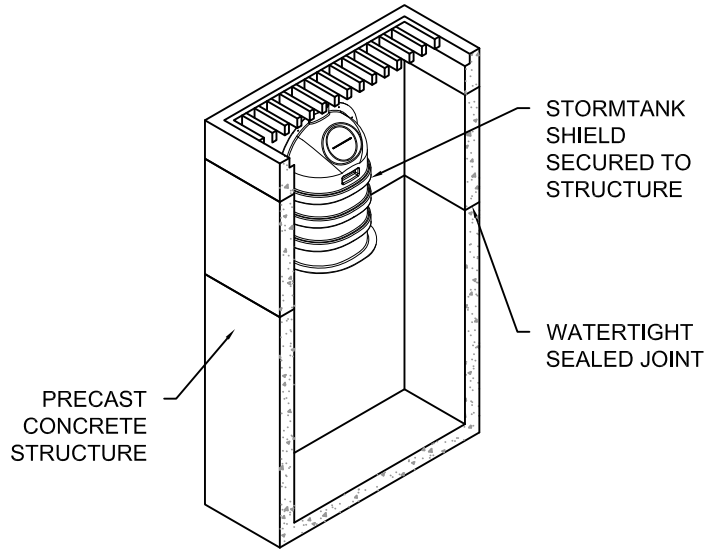
STEP #3

LOCATE SHIELD OVER OUTLET PIPE AND UTILIZING THE PRE-DRILL HOLES, IN THE SHIELD, DRILL PILOT HOLES INTO THE STRUCTURE



STEP #4

SECURE SHIELD TO STRUCTURE UTILIZING FASTENERS (SUPPLIED BY MANUFACTURER).



NOTES:

- a. SUMP DEPTH TO BE A MINIMUM 36", FOR INCREASED TREATMENT, SUMP DEPTH SHOULD BE 2.5x THE OUTLET PIPE DIAMETER.

REV.	DATE	RECORD OF CHANGES	BY	APPRV.
A	8/13/13	INITIAL RELEASE	JKB	



610 Morgantown Road
Reading, PA 19611 U.S.A.
Phone: (610) 374-5109
Fax: (610) 376-6022
www.brentwoodindustries.com

Project Name INSTALLATION INSTRUCTIONS	
Title STORMTANK SHIELD	
Drawn By J.BAILEY	Date 8/13/13
Drawing No. P1	Sheet 1 of 1
Scale NTS	