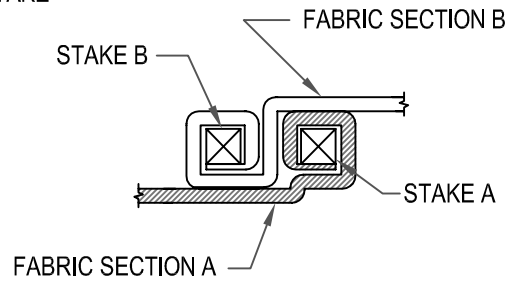
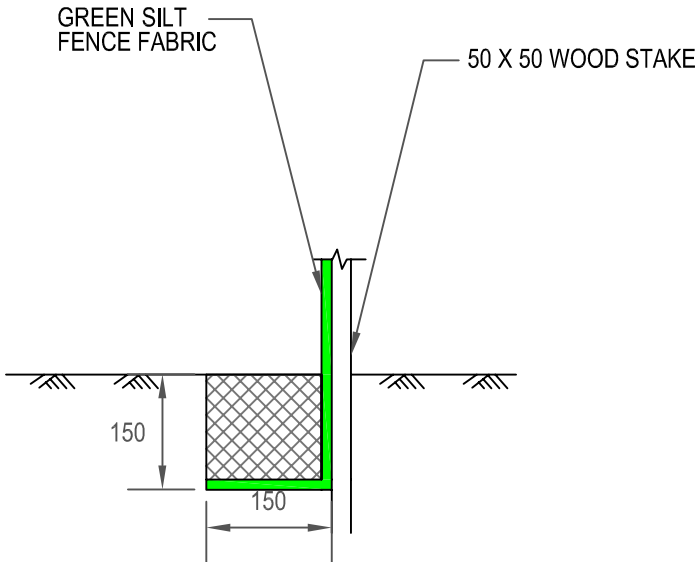


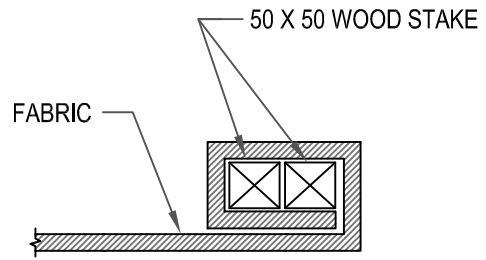
SILT FENCE INSTALLATION AT SLOPE BASE



SILT FENCE JOINING ROLL TO ROLL
DETAIL (PLAN VIEW)



INSTALLATION TRENCH DETAIL (PLAN VIEW)



END STAKE DETAIL (PLAN VIEW)



Green Silt Fence
Installation Details

DRAWING No.

DWG: 1 OF 1 SCALE: NTS

DWN: JD	CHKD: CM	APP'D: CM
------------	-------------	--------------

DATE: 11/22/07	REVISION:
----------------	-----------