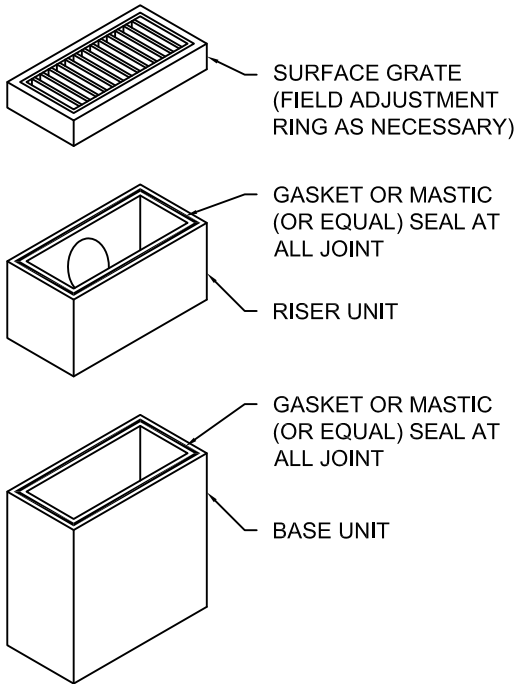


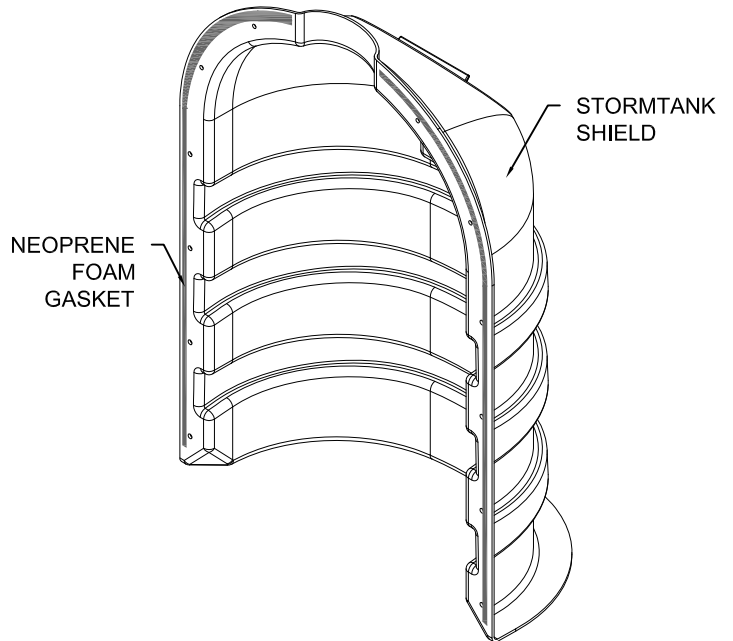
**STEP #1**

INSTALL STRUCTURE, ENSURING ALL JOINTS AND PENETRATIONS PROVIDE A WATERTIGHT SEAL.



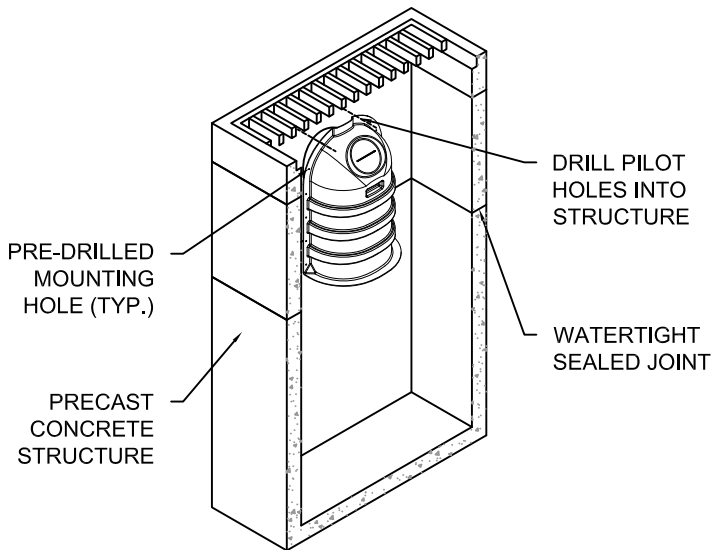
**STEP #2**

PREPARE STORMTANK SHIELD FOR INSTALLATION, BY APPLYING NEOPRENE FOAM GASKET (SUPPLIED BY MANUFACTURER) TO REAR FACE OF THE MOUNTING FLANGE.



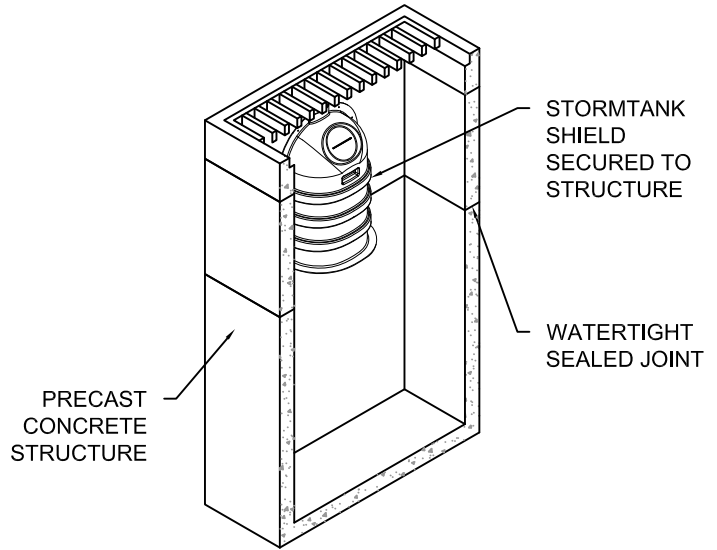
**STEP #3**

LOCATE SHIELD OVER OUTLET PIPE AND UTILIZING THE PRE-DRILL HOLES, IN THE SHIELD, DRILL PILOT HOLES INTO THE STRUCTURE



**STEP #4**

SECURE SHIELD TO STRUCTURE UTILIZING FASTENERS (SUPPLIED BY MANUFACTURER).



**NOTES:**

- a. SUMP DEPTH TO BE A MINIMUM 36", FOR INCREASED TREATMENT, SUMP DEPTH SHOULD BE 2.5x THE OUTLET PIPE DIAMETER.

REV.	DATE	RECORD OF CHANGES	BY	APPRV.
A	8/13/13	INITIAL RELEASE	JKB	



610 Morgantown Road  
Reading, PA 19611 U.S.A.  
Phone: (610) 374-5109  
Fax: (610) 376-6022  
www.brentwoodindustries.com

Project Name <b>INSTALLATION INSTRUCTIONS</b>	
Title <b>STORMTANK SHIELD</b>	
Drawn By J.BAILEY	Date 8/13/13
Drawing No. P1	Sheet 1 of 1
Scale NTS	